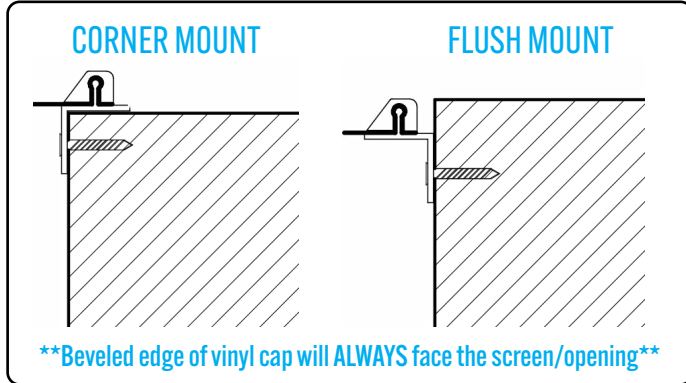




SCREENEZE® INSTALLATION INSTRUCTIONS

1

Choose Mount Type:



Choose To Do Miter Cuts Or Square Cuts With Plinths:

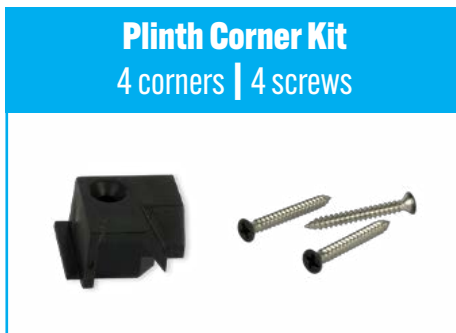


2

Identify the **required** components included in the tube:



Identify the **optional** components for square cut installation (sold separately):



★ ★ ★ **WE STRONGLY DISCOURAGE THE USE OF IMPACT DRIVER DRILLS TO FASTEN THE SQUARE DRIVE FASTENERS** ★ ★ ★
The torque may damage and weaken the fasteners. Damaged square drive fasteners will affect the performance of the SCREENEZE System.
We highly recommend a standard drill to install the square drive fasteners.

3

Decide if you are going to utilize the optional Plinth Kits (sold separately) to eliminate mitering the SCREENEZE® corners. If you are going to use the optional Plinth Kits, proceed to step 4 for a Flush Mount Application or step 5 for a Corner Mount Application.

NOTE: If you are doing a Flush Mount, you will utilize Plinth Flush kits. If you are doing a Corner Mount, you will utilize the Plinth Corner Kits.

If you are NOT using the optional Plinth Kits for installation, skip to step 6 on page 3



PLINTH INSTALLATION W/ SQUARE CUTS

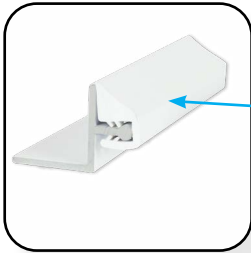
IF YOU ARE MITERING THE CORNERS AND NOT USING PLINTH KITS, SKIP TO PAGE 3

PLINTH FLUSH MOUNT APPLICATION

4 **NOTE:** If you are doing a Flush Mount, you will utilize Plinth Flush Kits (sold separately). Review steps 6 & 7 first.

4.1 Measure each side of your opening corner to corner.

4.2 Square cut SCREENEZE® Aluminum Base and Vinyl Cap together $1\frac{5}{8}$ " overall shorter than the actual opening.



CAP POSITION FOR
FLUSH MOUNT
INSTALLATION

4.3 Screw in the Plinth Base with the face side at the desired location for all four corners.



4.4 Slide the Aluminum Base Channel behind the Flush Plinth Base tabs.



BACK
SIDE VIEW

4.5 Follow SCREENEZE® Installation Instructions starting at step 8 and ending on step 13, then return to step 4.6 to finish the Plinth Flush Mount Application.

4.6 After you install SCREENEZE® and trim the screen fabric, then install the Plinth with the included screws.

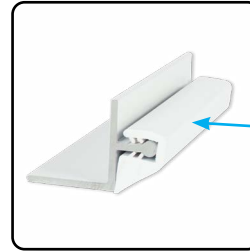


PLINTH CORNER MOUNT APPLICATION

5 **NOTE:** If you are doing a Corner Mount, you will utilize Plinth Corner Kits (sold separately). Review steps 6 & 7 first.

5.1 Measure each side of your opening corner to corner.

5.2 Square cut SCREENEZE® Aluminum Base and Vinyl Cap together $\frac{1}{8}$ " overall shorter than the actual opening.



CAP POSITION FOR
CORNER MOUNT
INSTALLATION

5.3 Follow SCREENEZE® Installation Instructions starting at step 8 and ending on step 13, then return to step 5.4 to finish the Plinth Corner Mount Application.

5.4 After you install SCREENEZE® and trim the screen fabric, then install the Plinth with the included screws.





SCREENEZE® INSTALLATION INSTRUCTIONS

- 6** After determining the application, snap or slide the Vinyl Cap onto the Aluminum Base Channel. **You will cut both pieces as one.**

TIP: The beveled edge of the Vinyl Cap will ALWAYS face toward the screen opening. Make sure the Vinyl Cap is facing the correct way according to your choice in application prior to cutting (flush or corner).

TIP: Pencil identifying marks on the corresponding Vinyl Cap and its Aluminum Base Channel so they are easily placed and kept together when completing steps 7 - 10.
- 7** Measure the opening and cut as required. Be sure the Vinyl Cap does not move on the Aluminum Base Channel while making miter cuts.

CUTTING TIP: To cut the SCREENEZE® Aluminum Base and Vinyl Cap, use a 10" miter saw with a non ferrous metal/plastic cutting blade. You may also use a hack saw with a fine tooth metal cutting blade. We prefer the [Lenox 10-in 52-tooth continuous carbide circular saw blade](#). ([Click here for additional cutting tips.](#))
- 8** Find the center of each cut piece. Then, mark for screw location at 10" - 12" O.C. from and including the center mark. Always screw at 2" from either end of cut piece. Adjust your centers to the 2" distance from the end of the cut piece.

TIP: Although we provide a self-tapping screw, we recommend pre-drilling $\frac{3}{16}$ " hole at your marked centers. We strongly discourage the use of impact driver drills to fasten the square drive fasteners (included with the SCREENEZE System). The torque may damage and weaken the fasteners. Damaged square drive fasteners will affect the performance of the SCREENEZE System. We highly recommend a standard drill to install the square drive fasteners.
- 9** Place cut pieces in opening and check for fit. Look for true corners (look for proper fit if using Plinths). Adjust if required. Secure the Aluminum Base Channel to the porch framing with SCREENEZE® supplied screws (#2 square drive, self tapping #10, 1 ¼" in length).

*Screws are recommended for standard use in most material, but NOT recommended for salt air installation.
- 10** Remove the Vinyl Cap from the Aluminum Base Channel. A 5-in-1-tool, a miniature pry bar, or a small straight screw driver may be used. Be sure not to scar the Aluminum Base Channel or Vinyl Cap during this process. Be careful not to mix up the pieces as they may be different lengths.

TIP: After loosening the ends, gently pull the Vinyl Cap off the Aluminum Base Channels. [See page 4 for cold weather reminder!](#)
- 11** To install screen; hold the fabric to the top (always first) of the opening. Square the fabric on top of the opening, then attach screen to Aluminum Base Channel by pressing or tapping the Vinyl Cap onto the corners by seating the Vinyl Cap to the Aluminum Base Channel with a rubber mallet. Next, proceed to the center of the Vinyl Cap to seat it completely. Make sure the screen has remained square on the frame. Complete the Vinyl Cap installation by tapping from the center towards the corners. Be sure the Vinyl Cap is secure against the Aluminum Base Channel before proceeding.

TIP: If it's a wind day, place a thumbtack on each corner and leave the screen on the roll to keep it square and not blow around.
- 12** Install the Vinyl Cap on the bottom (always second) of the opening in the same manner in step 11.

TIP: DO NOT STRETCH the screen fabric. SCREENEZE® will uniformly stretch the screen fabric for you. Let the screen drape over the bottom channel and position the screen so there are no wrinkles left or right.
- 13** Install the side pieces as described in step 11. Check the entire installation to ensure that the Vinyl Cap is completely seated on the Aluminum Base Channel. Use a razor knife to cut away the excess screen fabric. Return to page 2 if using Plinths.

TIP: Use the base of the Vinyl Cap, holding your knife at a perpendicular angle as a guide for trimming the screen fabric.



SCREENEZE® 10 - YEAR LIMITED WARRANTY

TERMS:

10 years from date of purchase

COVERAGE:

We warrant that SCREENEZE® aluminum base and vinyl cap will perform as a fixed screen installation system. The SCREENEZE® aluminum base and vinyl cap only, will perform as intended for stretching and securing screen fabric in a vertical position on the walls of a traditional screen room

CONDITIONS:

Home Improvement Systems, Inc., Manufacturers of SCREENEZE®, will consider claims for manufacturing defects in the aluminum base and/or vinyl cap only. Home Improvement Systems Inc. will replace products with manufacturing defects at the company's discretion

EXCLUSIONS FROM COVERAGE:

- Labor to remove or install replaced material
- Screws
- Screen fabric
- Defects due to ordinary wear and tear, abusive use, or lack of proper maintenance are excluded from coverage
- Defects caused by improper installation and/or misapplication of the product are excluded from coverage i.e. SCREENEZE® installed as an awning or roof system regardless of the screen material attached
- Defects due to damage to vinyl caps when installed in temperatures below 60° (care should be taken to store material in a heated area prior to installation if temperatures are below 60°)
- Defects in the performance of the product due to failure or deterioration of the primary structure that SCREENEZE® is attached to

CLAIMS PROCEDURE:

Send claims to: support@screeeze.com


Include proof of purchase, photograph of defect, and contact information. No claim can be considered without prior company approval

EFFECTIVE DATE:

MARCH 2023

COLD WEATHER REMINDER!

Take temperature and porch location into consideration during installation. Remember, the caps are plastic! When installing in temperatures below 60°, make sure that the vinyl caps are warmed or stored in a heated area. Cool temperatures can make the vinyl brittle causing it to split/crack during installation. This will occur at the ends so be sure to hand press the caps at the corner and take the previous stated precautions. Also, tap the cap close to a previously expanded point.



SCREENEZE® | SNAPTRACK
PLINTH | FLATBAR | WEDGE
THE SLIDING SCREEN DOOR

800.884.6697
www.SCREENEZE.com

Plinth Mounting System: US Patent No. 9,518,423 | US Patent No. D756,536

*Beautiful Bug-Free
Outdoor Spaces
Since 2003*

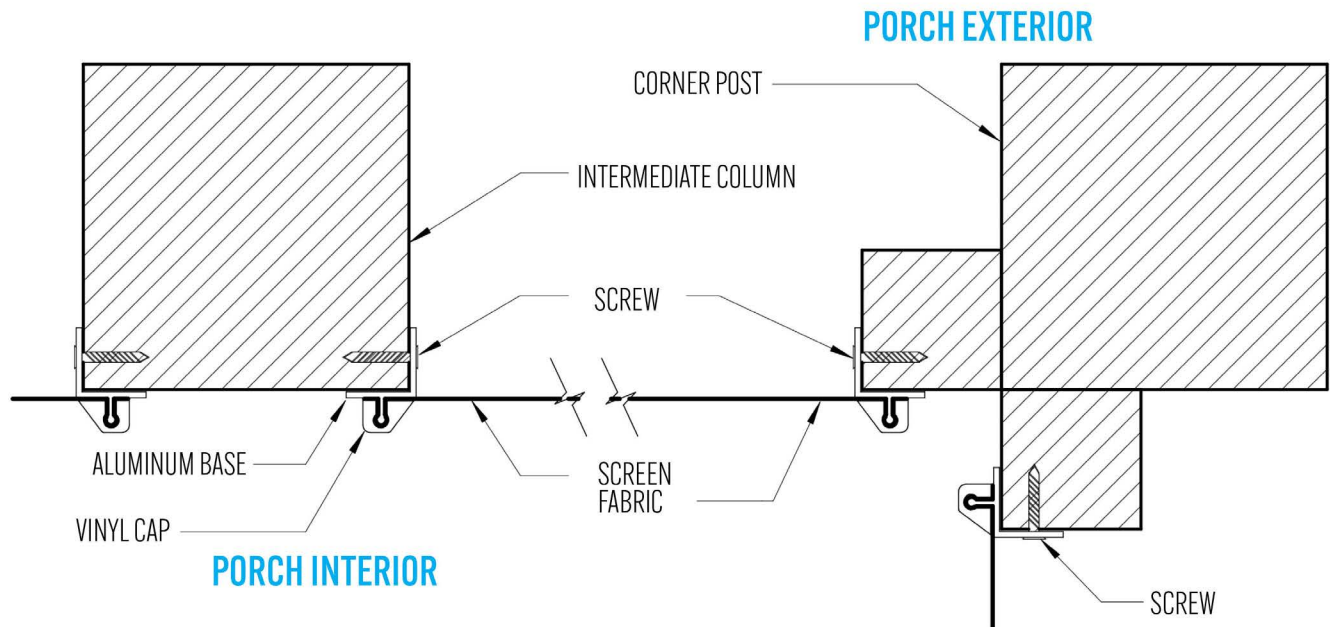
Escanee para obtener
instrucciones en Español



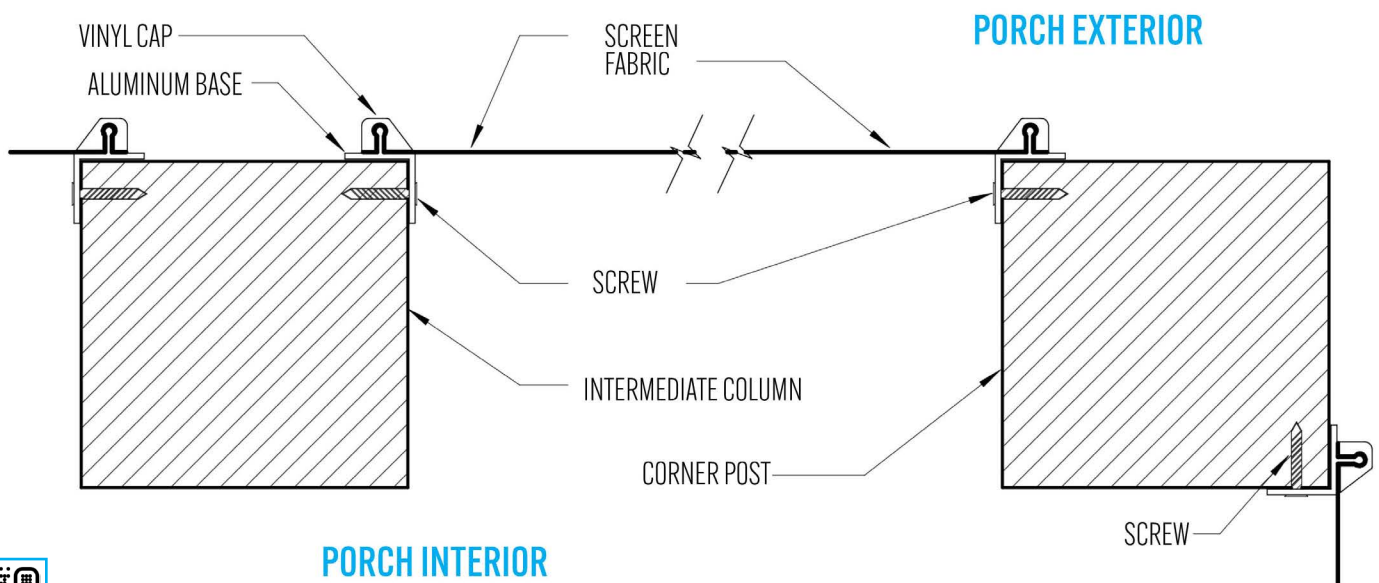
SCREENEZE® CORNER MOUNT

top view

INTERIOR CORNER MOUNT



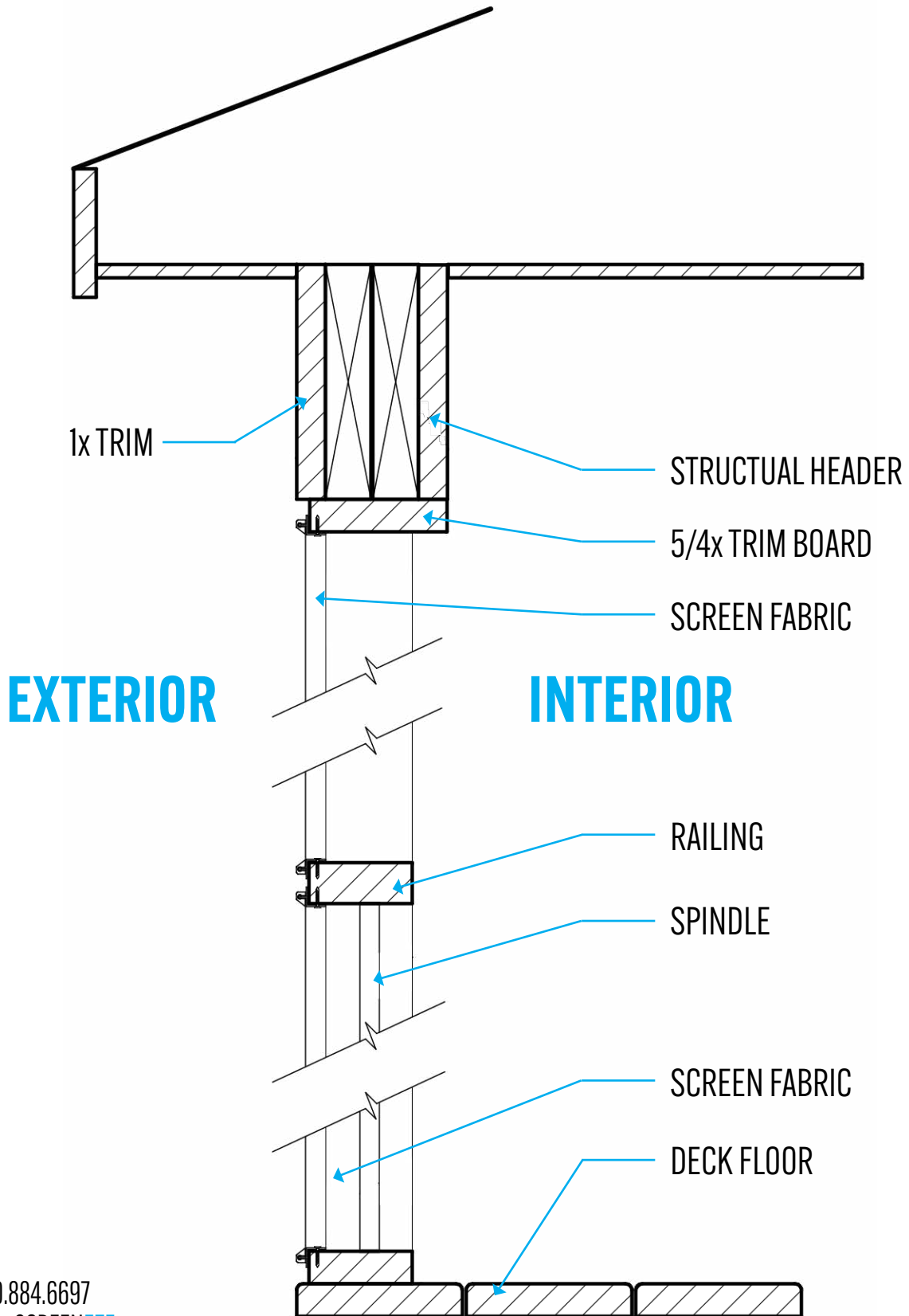
EXTERIOR CORNER MOUNT



800.884.6697
www.SCREENEZE.com

SCREENEZE® CORNER MOUNT

side view

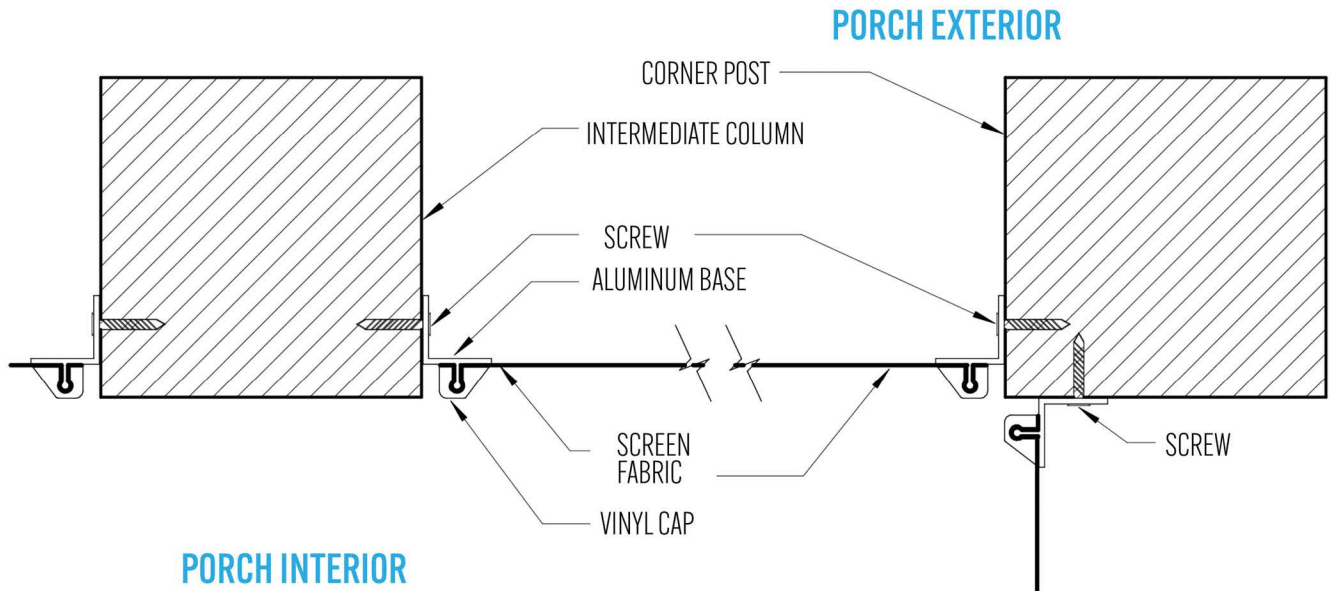


800.884.6697
www.SCREENEZE.com

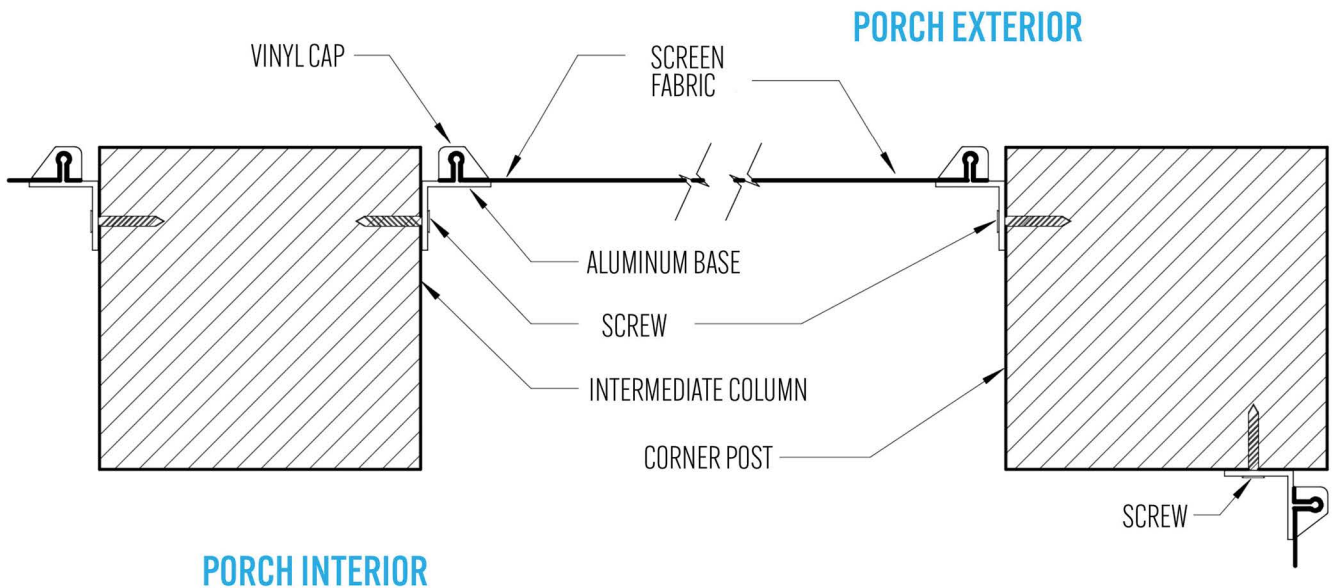
SCREENEZE® FLUSH MOUNT

top view

INTERIOR FLUSH MOUNT



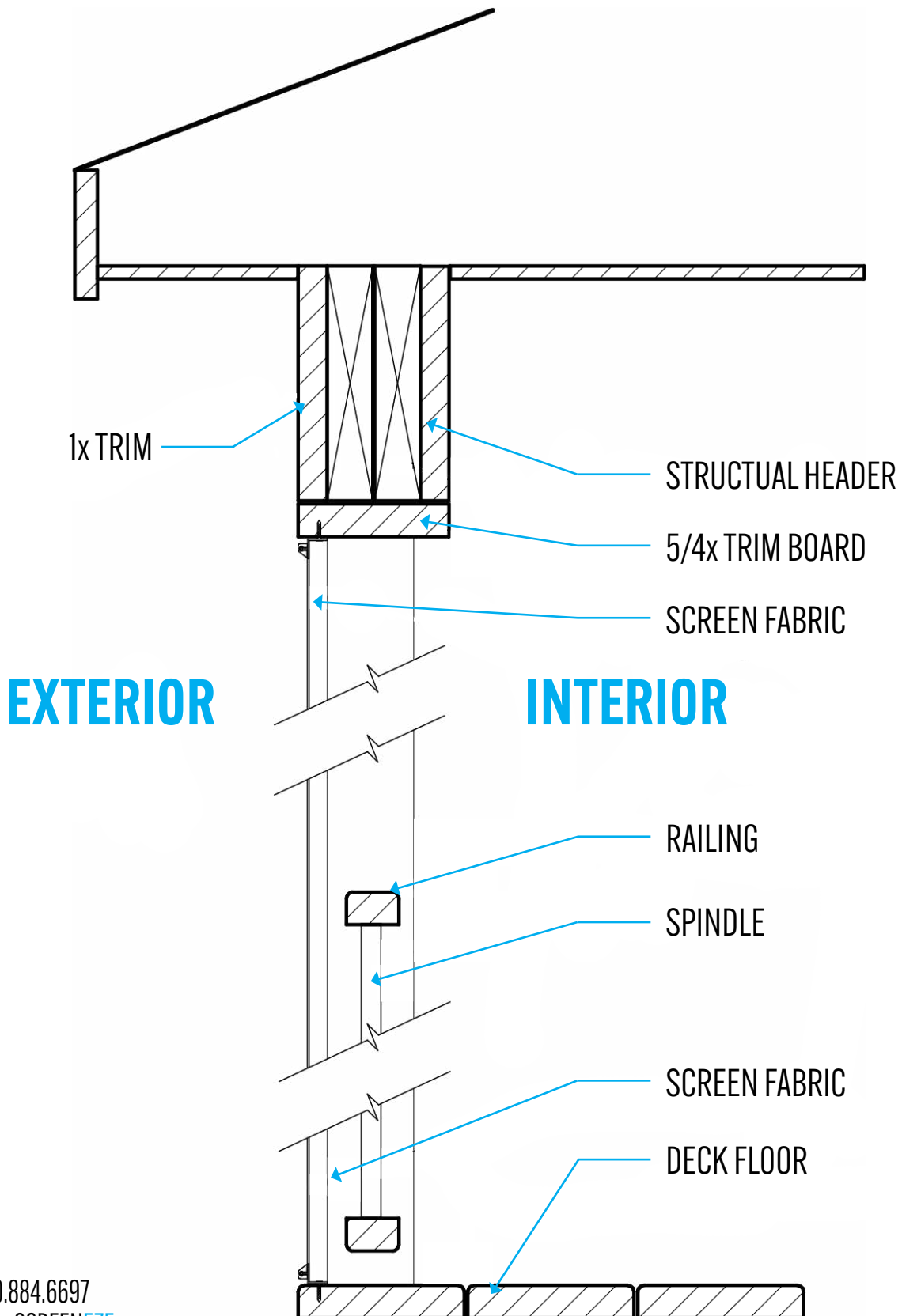
EXTERIOR FLUSH MOUNT



800.884.6697
www.SCREENEZE.com

SCREENEZE® FLUSH MOUNT

side view



800.884.6697
www.SCREENEZE.com