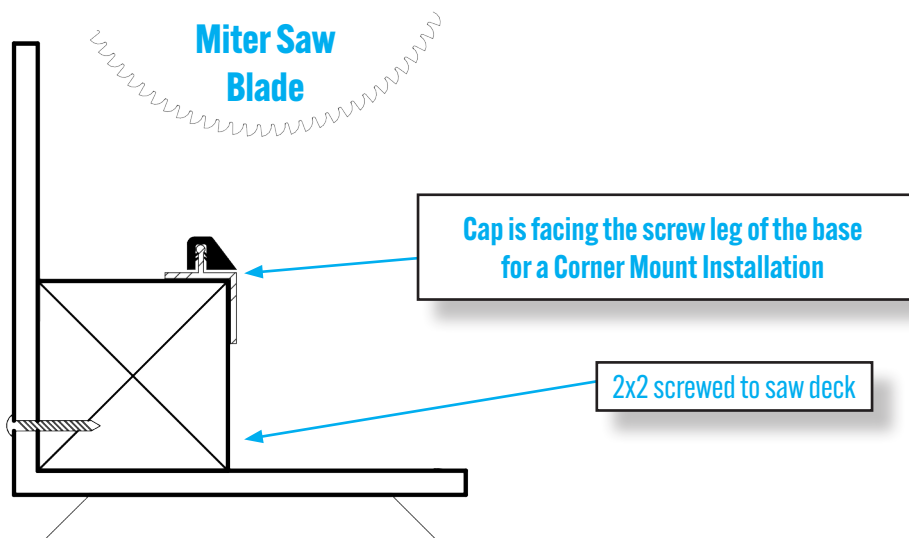
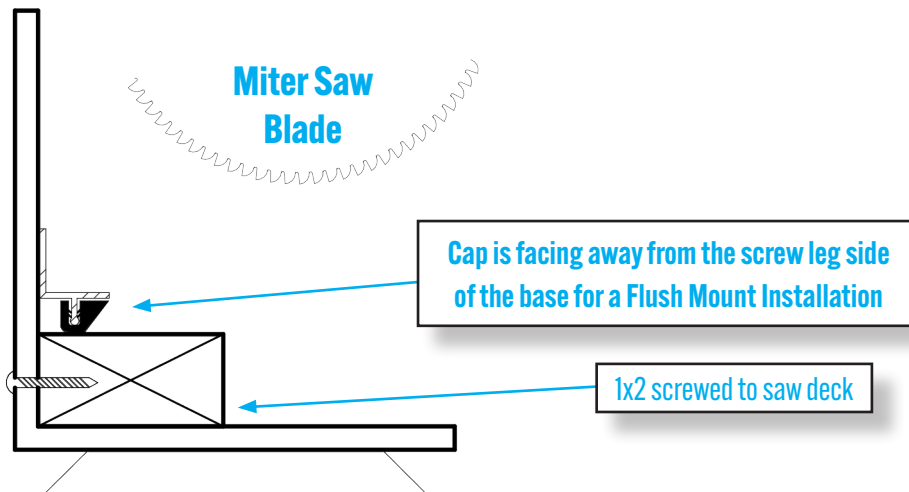


SCREENEZE® CUTTING TIPS

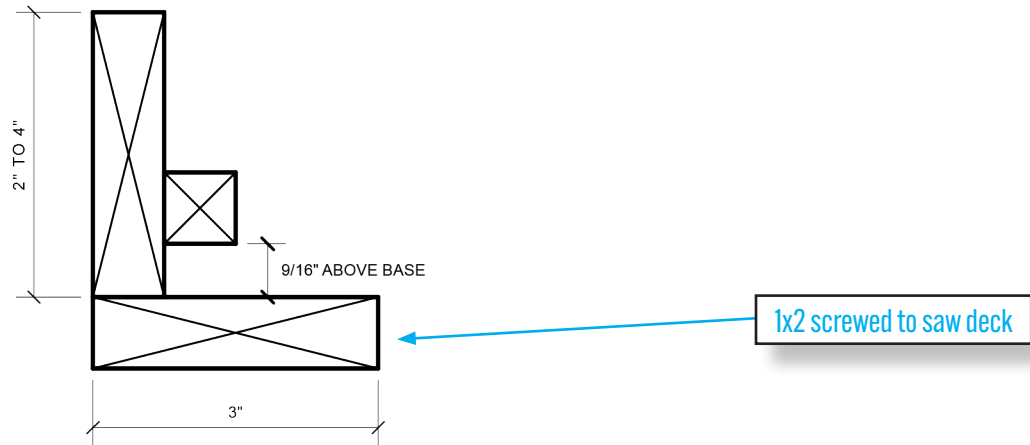
Either of the below options may be used to cut the cap and base for Flush or Corner Mount Installation
If you are doing miter cuts, be sure that cap is facing the correct direction prior to making cuts



PRO TIPS:

Grip firmly and hold tight so there is NO movement while making cuts
Check blade: Do NOT use blade if it is missing teeth, dull or if teeth are not straight
Building a jig will make it easier for multiple cuts (see page 2)

CUTTING JIG



POSITION OF SCREENEZE® FOR CUTTING JIG



PRO TIPS:

Always cut vinyl cap and aluminum base together as one piece
To cut SCREENEZE® aluminum base and vinyl cap, use a 10" miter saw with a non ferrous metal/plastic cutting blade. You may also use a hack saw with a fine tooth metal cutting blade.

We prefer the Lenox 10-in 52-tooth continuous carbide circular saw blade

